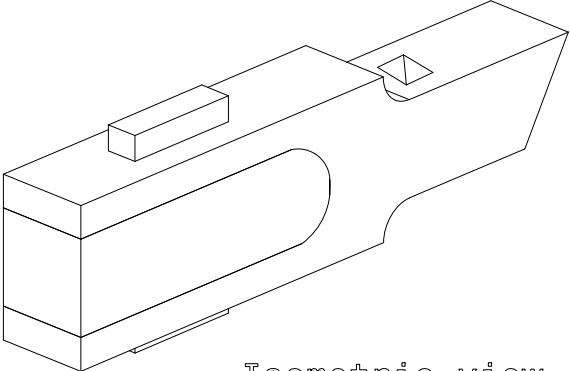
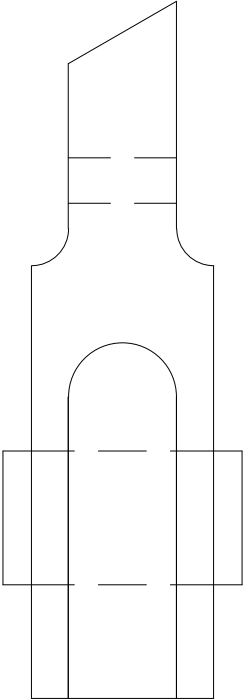


STRAP JOINT



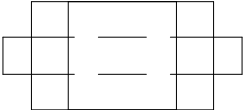
Isometric view



Bottom view



Right view



Front view

Gen. Tolerance = ± 1.0 mm
All Dimensions are in mm
Scale NTS